

PR9 Pit Mounted Step Platform Lift



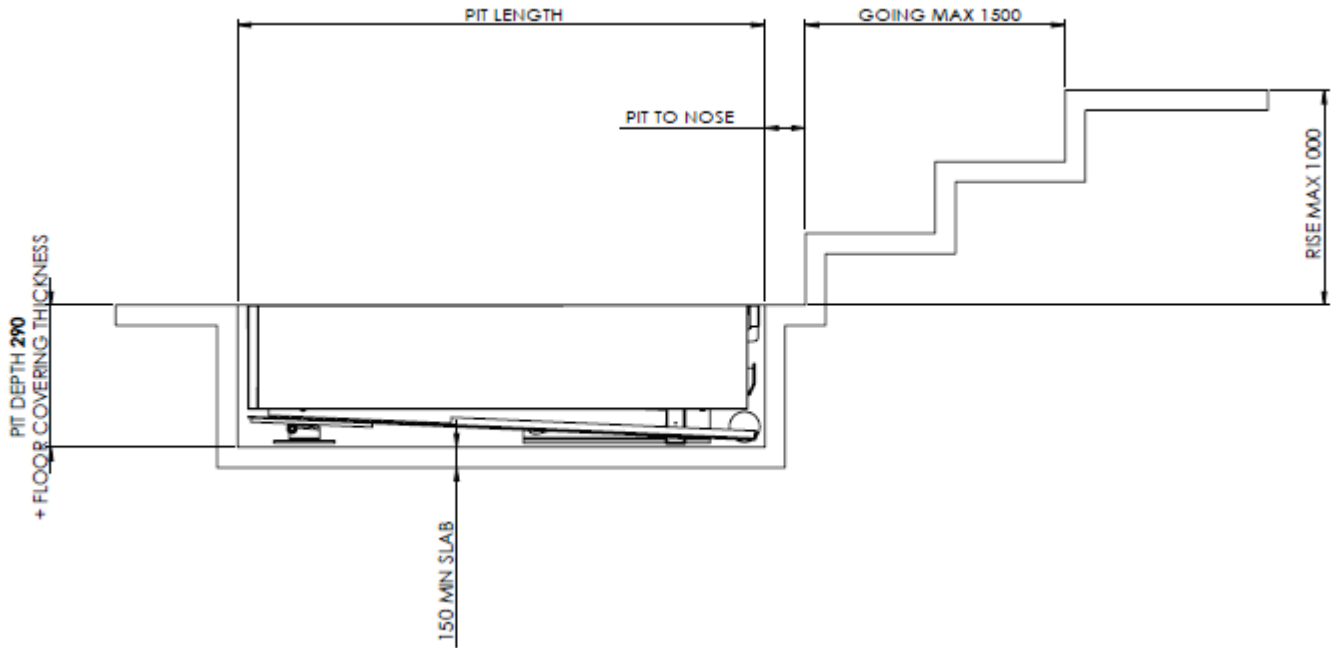
Panova

Choice

Reliability

Flexibility

Dimensions



Note: Length of platform is determined by overall going of steps. This can range from 1100mm to 1900mm long depending on steps.

Standard Usable Platform size
1250mm long x 800mm or 1100mm wide
Other sizes available on request

Overall Lift Footprint
Width +70mm
Length +70mm

Standard



The buttons can have white, green, red or blue illumination.

The button faceplate is white as standard but can be brushed stainless steel, brass plate, or any other design desired

Options



Call Button Panel

Finishes

Underside of lift can be powder coated any RAL colour.

Side barriers are brushed stainless steel as standard, but can be brass, bronze or mirror finished also.

Technical specification

Maximum user load	250kg
Translation speed	0.10m/s
Max rise	Up to 1000mm vertical and 1500mm horizontal
Drive system	Hydraulic, with soft start / stop
Electrical Connection	Single Phase 220V, 50Hz, 10a Terminated on rotary isolator
Electric box	Cabinet to be placed within 10m of lift, connected via a 75mm diameter duct to the pit.
Landing Call Buttons	Wall or post mounted. "Hold to run" buttons or key switches for authorised use only
Floor Finish	Any floor material – Standard is Polyflor Vinyl. Can be matched to client's requirements
Colour Finish	Brushed Stainless Steel barriers and any RAL colour on underside of lift
Platform sizes	1250mm long x 800mm or 1100mm wide, as required Standard sizes increase in 50mm increments in length Bespoke sizes available on request Pit depth: 290-350mm plus finished floor thickness
Safety features	Safety edge bump protection Safety floor pan, beneath platform. Emergency Stop button Onboard diagnostics UPS available for protection from power cuts
Regulatory compliance	2006/42/EC Machinery Directive

CAD Drawings available
upon request

Optional Features

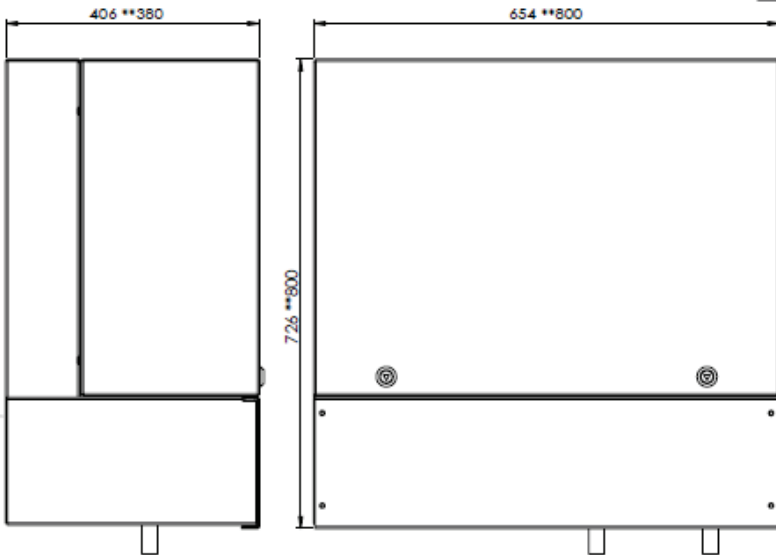
Fixed Handrail	A handrail can be installed if deemed appropriate. This can be installed on any side. The handrails have lift controls built into them.
Fold down seat	With the handrail, a fold down seat can be installed so that users who are not in a wheelchair can sit down during use.
Removable handrail	<p>Where a handrail would cause obstruction in the lift area, a removable version is available. This interlocks into the lift when in use so it can only be removed when the lift is in its pit.</p> <p>When removed the lift is also disabled, meaning that it cannot be used without the handrail being installed.</p>
Fixed Control Post	A fixed control post can be installed onto the lift so that the user can operate the lift independently. This is ideal where a handrail is not necessary.
Full battery backup	<p>As standard, the lift has a 24V power backup for the barrier control and safety circuit, and a manual hand pump to move the lift. This means that in power cuts, the lift remains safe, and can still be moved.</p> <p>An option is to have full battery backup, where an Uninterruptible Power Supply is provided that can run the lift as normal for a few cycles in the event of a power cut.</p>
Floor Coverings	<p>The platform floor covering can be any material the client wishes. Examples include vinyl, carpet, coir matting, floor tiles, stone slabs, even artificial grass!</p> <p>This makes it ideal to blend into the surroundings.</p>
Remote Control Fobs	An alternative to the fixed control post is the Remote Control fob. Working on a radio frequency, the user is able to use the fob to move the lift, providing them within independent use of the lift.



Cabinet dimensions

WALL MOUNTED CABINET TO BE SITUATED WITHIN 10M OF LIFT

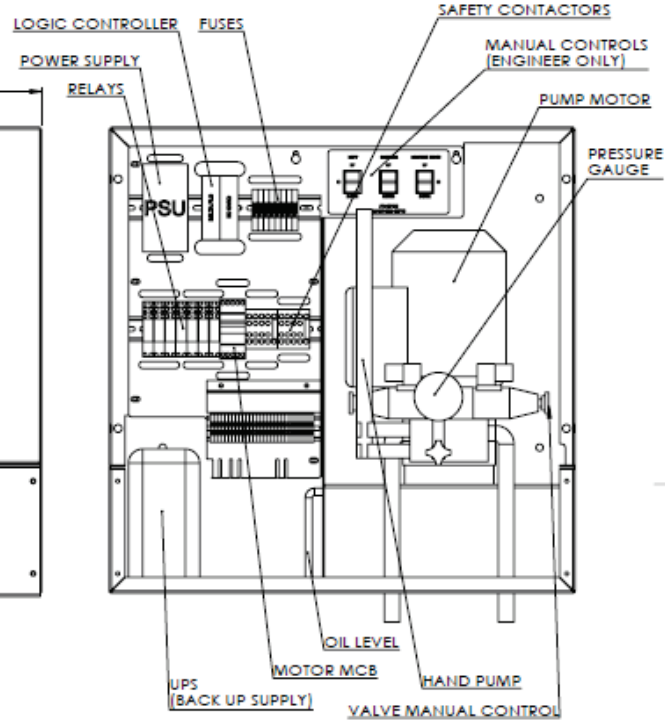
** DENOTES EXTERIOR CABINET SIZES



100MM CLEAR SPACE REQUIRED FOR PIPES UNDER CABINET



WALL MOUNTED BUTTON PLATE
MOUNT ADJACENT TO LIFT
AVAILABLE WITH KEY SWITCH AUTHORISATION



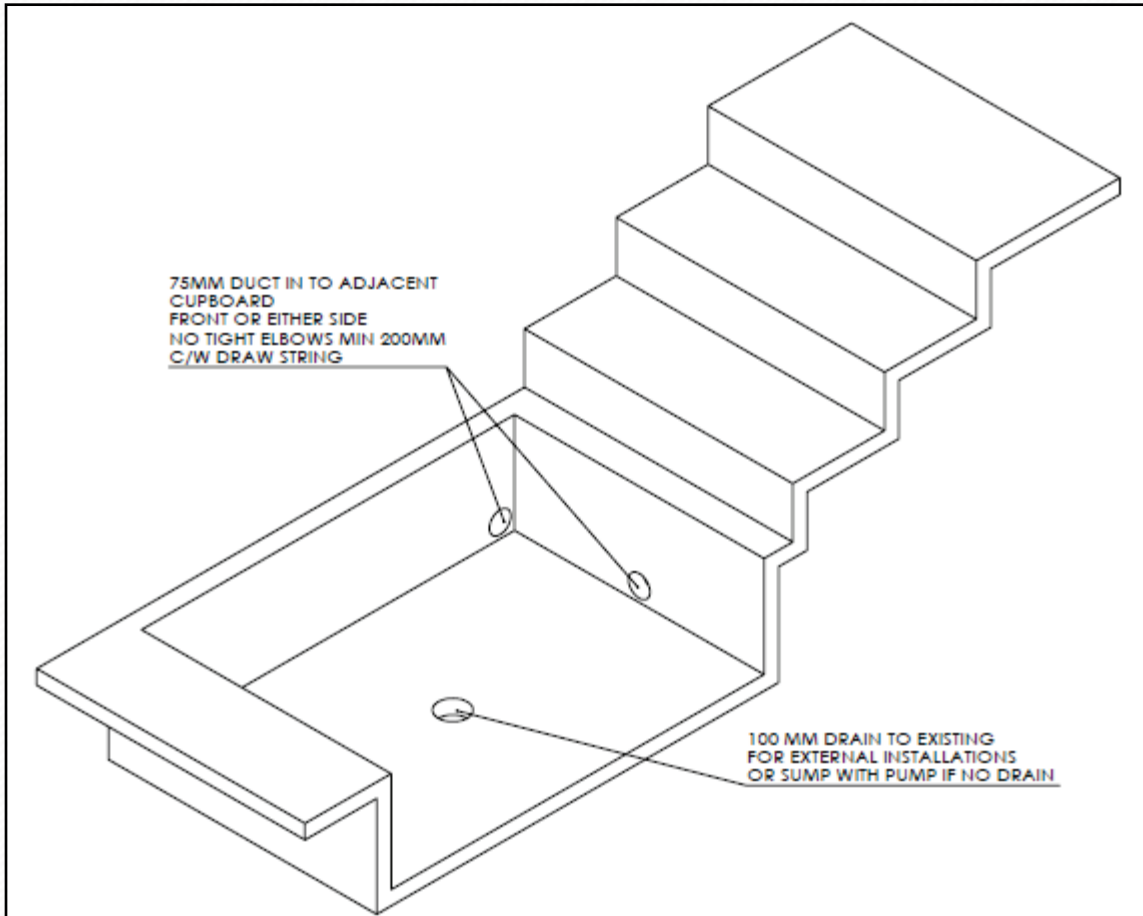
13A Single phase 230VAC Dedicated Supply Required, terminating adjacent to the control cabinet location on a lockable rotary isolator. MCB Protection required, not RCD.
24VDC Control Circuit
250KG Rated Load

Mounting the cabinet

The cabinet can be the wall but space beneath the cabinet is required for the cables and hoses.

Space is needed in front of the cabinet to allow the lid to be easily fitted and removed for servicing.

Pit Details



External Lifts	A rainwater drain connection is required for external installations. If the pit is too low for connection to a local drain, then a sump and a pump unit will be required to pump the water to the drain.
Pit Liner	For the benefit of installation, Panova will manufacture and supply a steel pit liner. This will be the correct size for the lift and will include the cut outs for the ducts/drain. This liner is fixed in place in the pre-prepared hole at the foot of the steps and therefore forms the pit of the lift. It also includes the mounting points for the lift, thus reducing the risk of error in the formation of the pit.

Survey Form

Standard Form for use by a Surveyor

CUSTOMER ENQUIRY SHEET			
Serial Number:		Customer:	
		Site Address:	
		Desired install date:	

SPECIFICATION
Please review and confirm the specification below. Any changes should be advised as soon as possible

Number of Steps			
Overall Horizontal Going (mm)			
Overall Vertical Rise (mm)			
Internal Platform Size			
Lift Location	INTERNAL	EXTERNAL	
Painted colour of underside of lift platform	RAL:		
Barrier Guard Finish		Other:	
Type of material planned for platform floor covering?			
Thickness & weight of floor material on platform			
Distance of lift from any adjacent wall?			
Wall Mounted Call Station qty			
Call Station Type	Key Switch	Up and Down Button	
Call Station Finish	RAL:		
Call Station Button Type			
Remote Control Hand Set Qty			
Handrail	FIXED	REMOVABLE	None
Handrail Locations (As seen from facing steps)	RH Side	LH SIDE	REAR FRONT
Fold down seat on Handrail	Yes		No
Battery Backup	Standard		Full Battery Backup

Other details	<u>If possible, sketch the location of the pit, call button stations and the cabinet location here</u>

Return this completed form to mark@panova.biz or fax 01482 218444



Panova

Panova Lifts, Unit 2 Sidings Business Park, Freightliner Road, Hull, HU3 4XA, UK

+44 1482 480710

mail@panova.biz

All information contained in this brochure was correct at the time of publication, but due to the nature of our continuous improvement policy, we reserve the right to change the specification from time to time without notice